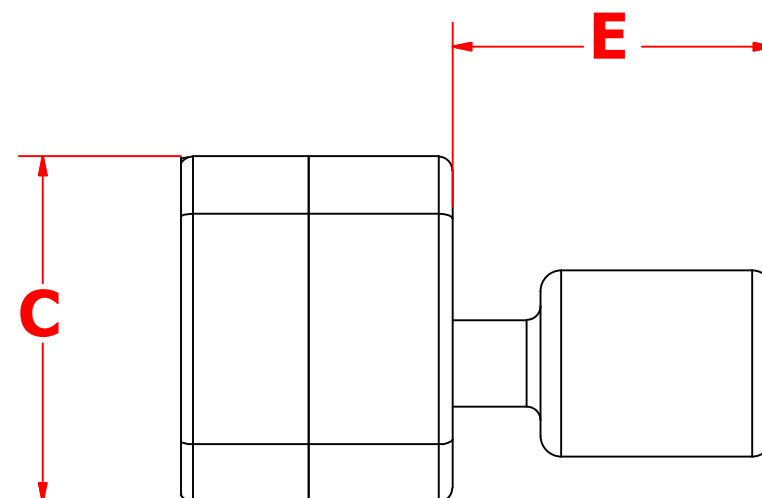
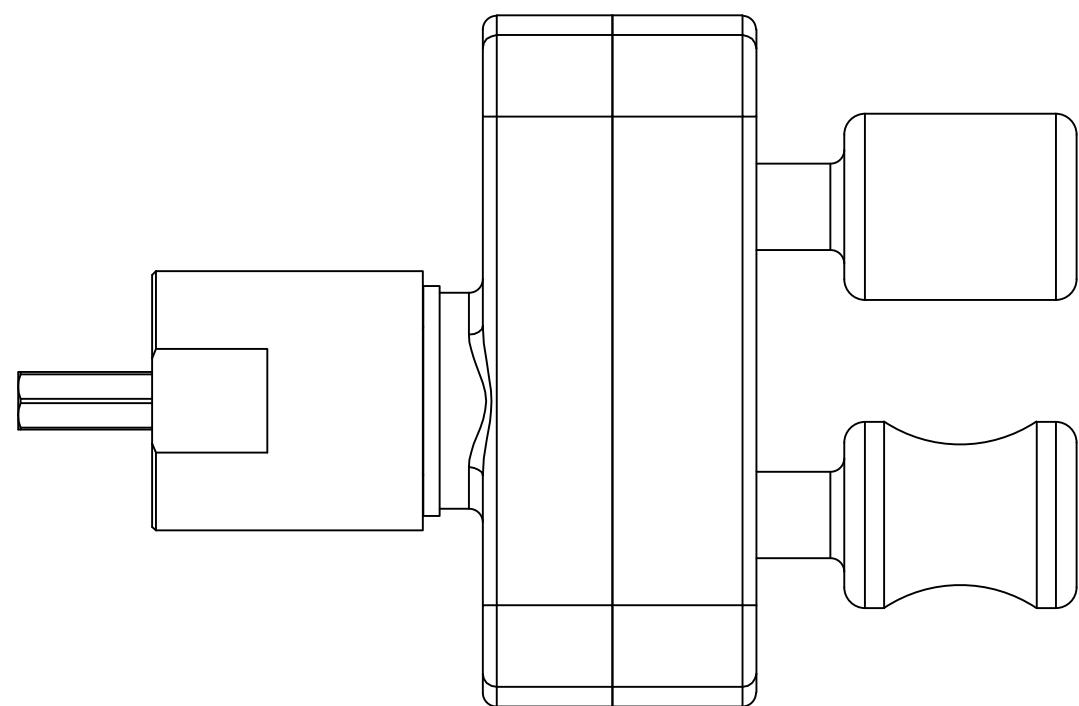
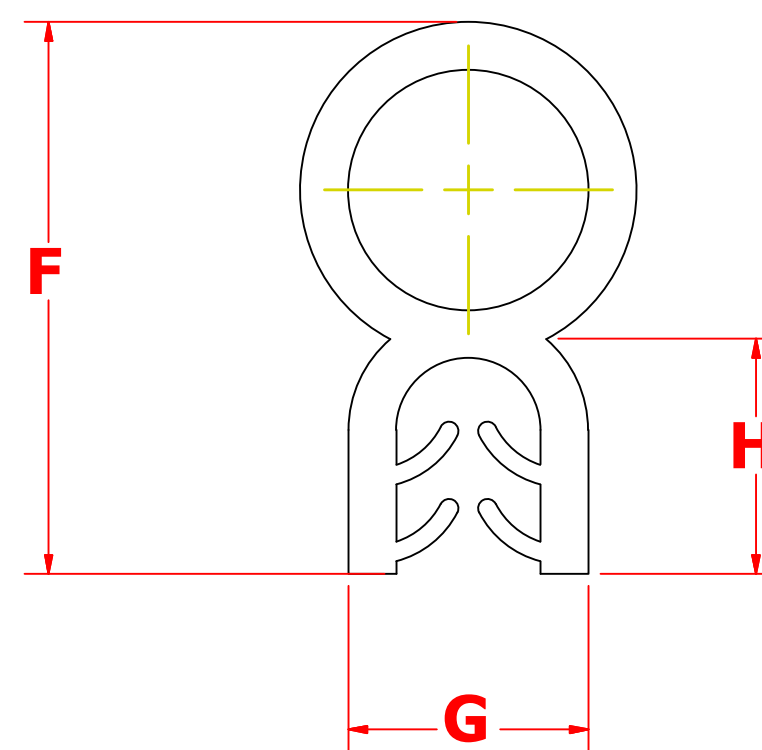
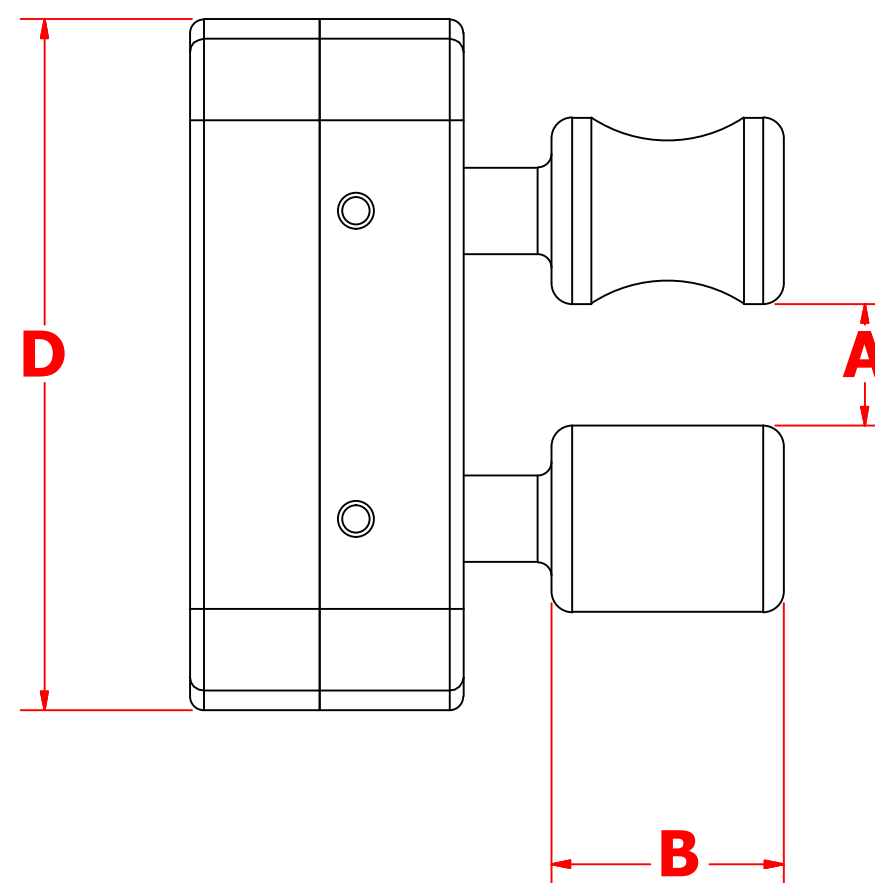
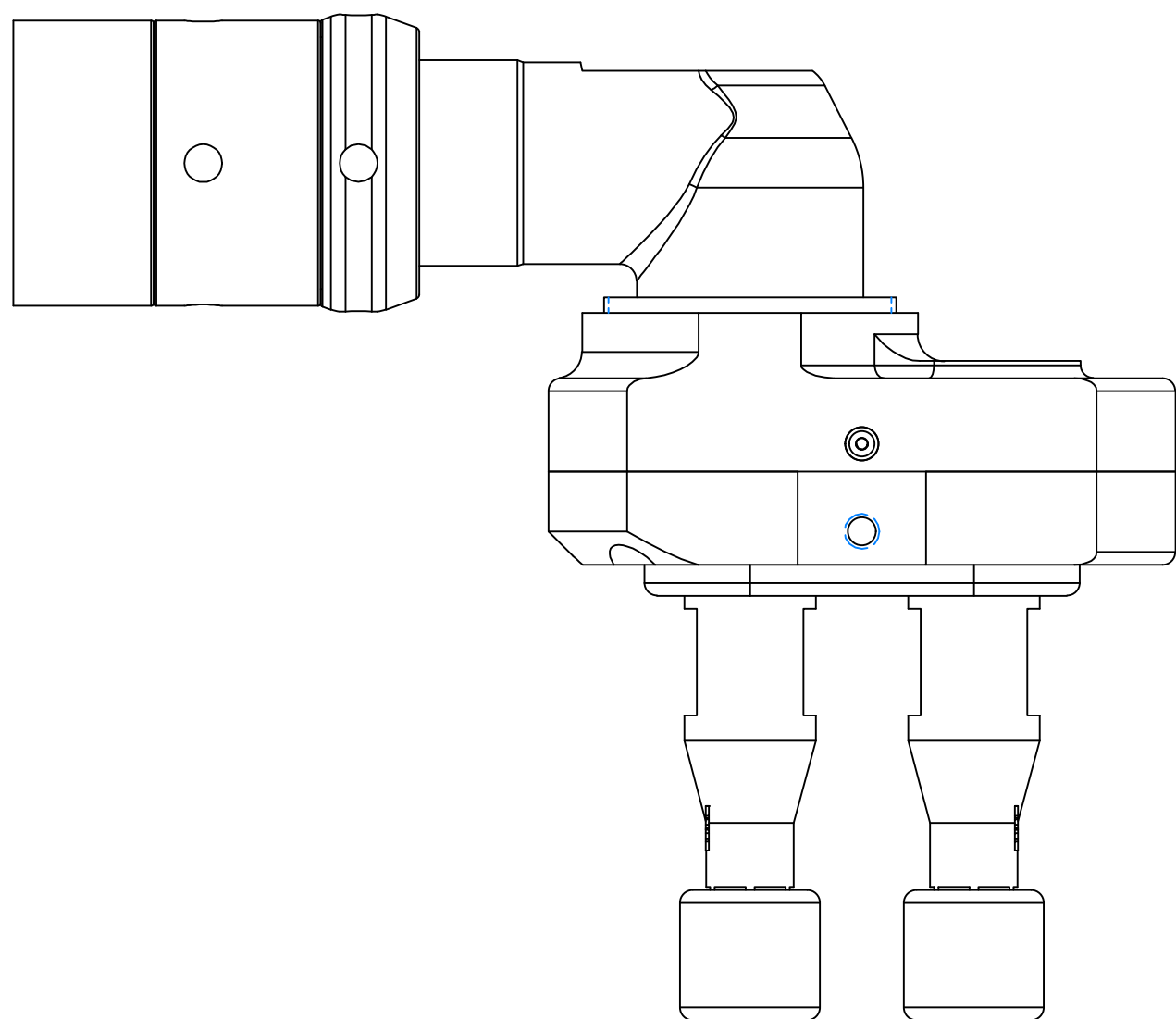


WEATHER STRIP ATTACHMENT QUOTE REQUEST FORM

IN LINE ATTACHMENT



90 DEGREE ATTACHMENT



INTERPRET ALL DIMENSIONS AND TOLERANCES PER ANSIS/ASME Y14.5-2009
ALL DIMENSIONS ARE IN INCHES UNLESS OTHERWISE SPECIFIED

LINEAR:
.X ± .020 ANGLES: ± .50°
.XX ± .010 FLATNESS: ± .005
.XXX ± .003 ROUNDNESS: ± .010
.XXXX ± .001
CORNER BREAK ~ .005/.010
FILLET RADII ~ .005/.015
DIAMETERS ON A COMMON AXIS
CONCENTRICITY W/IN .003 TIR

JEMMS-CASCADE Inc.

STOCK NUMBER:	
PRODUCT:	
MATERIAL:	FINISH:
HARDEN TO:	WEIGHT:
DRAWN BY:	C

DRAWING NUMBER: © 2015 JEMMS-CASCADE INC.